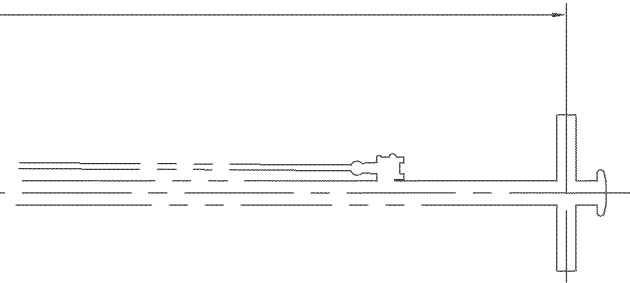
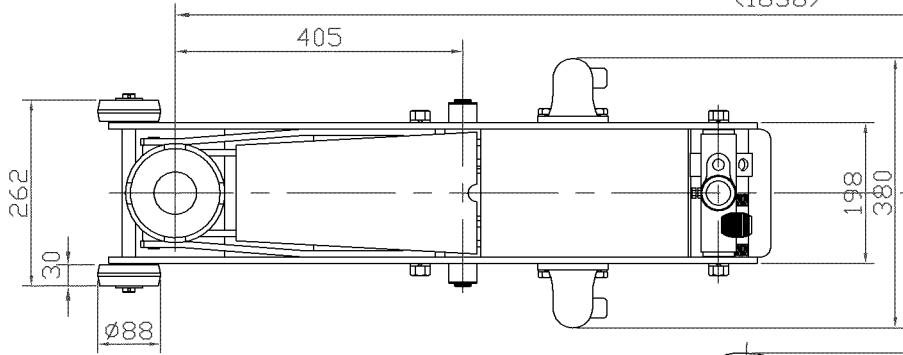


(1838)



*NLG-2P*

